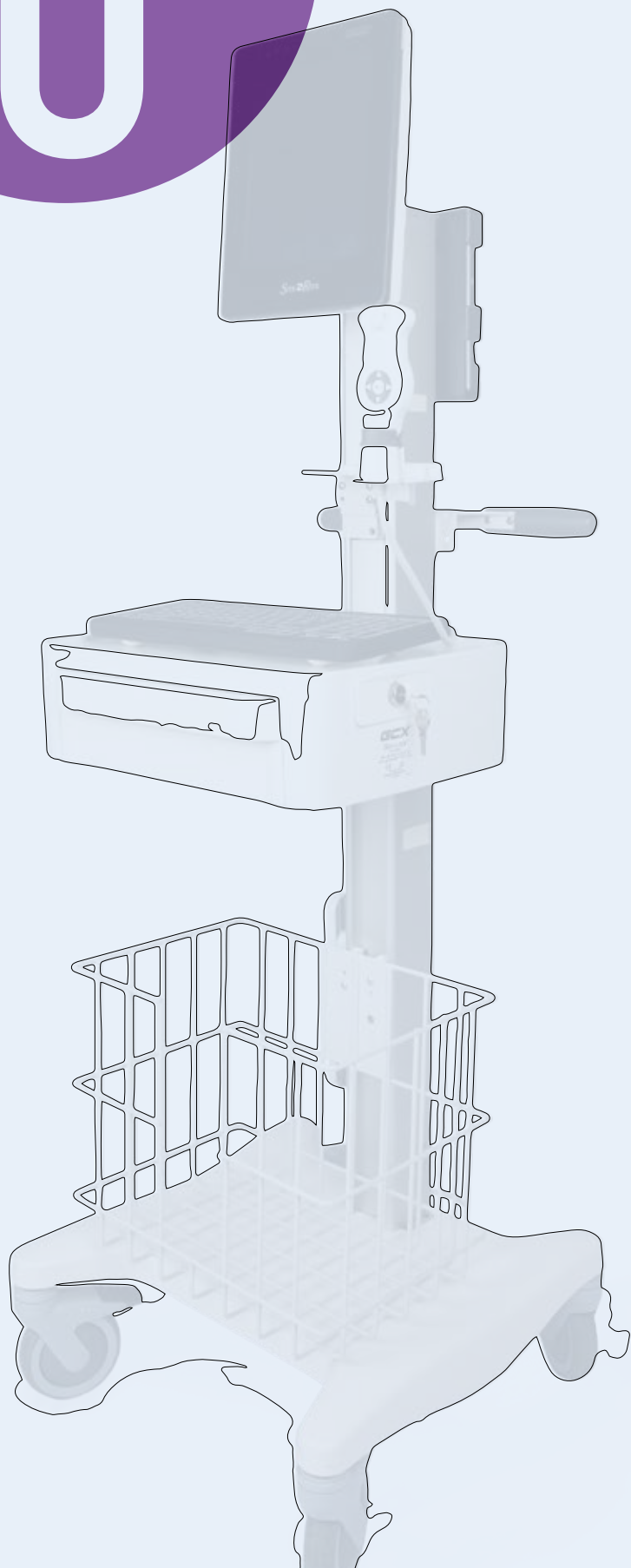


SIMPLIFYING  
**VASCULAR ACCESS**

**SITE**  **RITE**<sup>®</sup>  
ULTRASOUND SYSTEM



# The Site~Rite® 8 Ultrasound System is designed to simplify the placement of vascular access devices

## The Site~Rite® 8 Ultrasound System Indications For Use:

The Site~Rite® 8 Ultrasound System is intended for diagnostic ultrasound imaging of the human body. Specific clinical applications include:

- Pediatric
- Small Organ (breast, thyroid, parathyroid, testicles)
- Peripheral Vessel
- Cardiac (adult and pediatric)
- Musculo-skeletal (conventional and superficial)

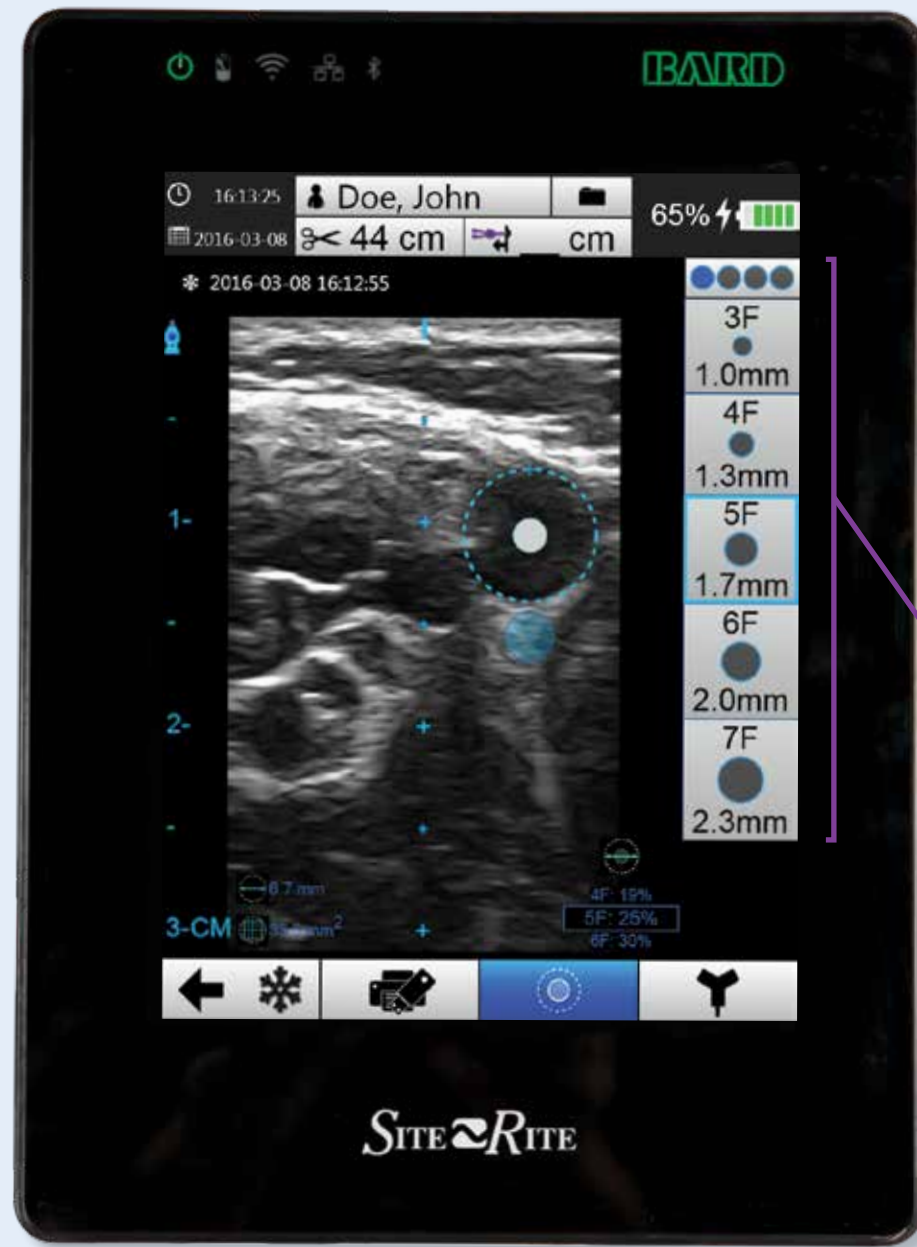
Typical examinations performed using the Site~Rite® 8 Ultrasound System include:

### Imaging Applications Exam Type (Adult and Pediatric)

Vascular	Assessment of vessels in the extremities and neck (e.g., jugular, carotid) leading to or coming from the heart, superficial veins in the arms and legs (e.g., basilic, cephalic, brachial, femoral, radial, saphenous), and vessel mapping. Assessment of superficial thoracic vessels (e.g., axillary, innominate, subclavian)
Vascular Access	Guidance for PICC, CVC, dialysis catheter, port, PIV, midline, arterial line placement, access to fistula and grafts, and general vein and artery access
Interventional	Guidance for biopsy and drainage
Superficial	Assessment of breast, thyroid, parathyroid, testicle, lymph nodes, hernias, musculoskeletal procedures (e.g., joints, ligaments, tendons), soft tissue structures, and surrounding anatomical structures

Pinpoint™ GT Technology is intended to provide clinicians with visual tools for passive magnetic tracking of a needle with respect to ultrasound image data.

**Warning:** Pinpoint™ GT Technology is not qualified for use with Site~Rite® Needle Guides. Using Site~Rite® Needle Guides with the Pinpoint™ GT Technology may result in injury to the patient.



## SITE~RITE® ULTRASOUND SYSTEM

The Site~Rite® 8 Ultrasound System is highly portable, intuitive, and designed to simplify the placement of vascular devices by giving clinicians:

- Touch screen capability
- Vessel measurements
- Personalized clinician settings
- Customized fields for documentation
- Reference markers for PICCs, PIVs, CVCs, and dialysis catheters
- Wifi or Ethernet connectivity



### Vessel Measurements

The Site~Rite® 8 Ultrasound System enables clinicians to visualize and measure catheter size relative to the vessel.

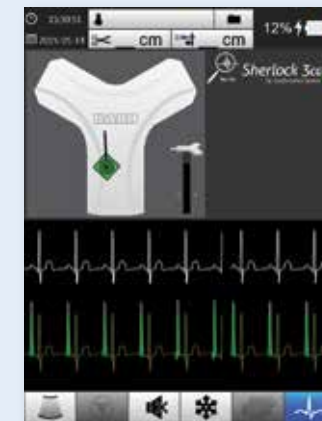


### Connectivity

The Site~Rite® 8 Ultrasound System can document procedures electronically — no more printing, scanning, or hassling with hard-copy patient charting!



## VASCULAR ACCESS ACCURACY



The Site~Rite® 8 Ultrasound System with integrated Sherlock 3CG™ Diamond Tip Confirmation System (TCS) allows clinicians to use ultrasound for vessel assessment and access, and ECG for tip confirmation.



Pinpoint® GT Technology on the Site~Rite® 8 Ultrasound System is designed to improve the ultrasound guided needle insertion experience by providing visual feedback of needle trajectory and needle tip positioning in relation to the structure of interest.

**The Sherlock 3CG™ Tip Confirmation System (TCS) Indications For Use:** The Sherlock 3CG™ Tip Confirmation System (TCS) is indicated for guidance and positioning of Peripherally Inserted Central Catheters (PICCs). The Sherlock 3CG™ TCS provides real-time PICC tip location information by using passive magnet tracking and the patient's cardiac electrical activity (ECG). When relying on the patient's ECG signal, the Sherlock 3CG™ TCS is indicated for use as an alternative method to chest X-ray and fluoroscopy for PICC tip placement confirmation in adult patients.

Limiting but not contraindicated situations for this technique are in patients where alterations of cardiac rhythm change the presentation of the P-wave as in atrial fibrillation, atrial flutter, severe tachycardia, and pacemaker driven rhythm. In such patients, who are easily identifiable prior to catheter insertion, the use of an additional method is required to confirm PICC tip location.



Please consult product labels and inserts for any indications, contraindications, hazards, warnings, precautions, and directions for use.

---

**BARD**

ACCESS SYSTEMS

---

**BARD ACCESS SYSTEMS, INC. • 605 North 5600 West • Salt Lake City, UT 84116 USA • customer service: 800-545-0890 • clinical information: 800-555-7422  
bardaccess.com**

Bard, Site-Rite, Sherlock 3CG, and Pinpoint are trademarks and/or registered trademarks of C.R. Bard, Inc.  
© 2015 C. R. Bard, Inc. All rights reserved. MC\_1557\_00